

EN

OPERATING MANUAL
VANE ANEMOMETER



Table of contents

Notes regarding the operating manual..... 2

Safety 2

Information about the device..... 3

Transport and storage..... 5

Operation 5

Maintenance and repair 6

Errors and faults..... 6

Disposal 6

Notes regarding the operating manual

Symbols



Warning of electrical voltage

This symbol indicates dangers to the life and health of persons due to electrical voltage.



Warning

This signal word indicates a hazard with an average risk level which, if not avoided, can result in serious injury or death.



Caution

This signal word indicates a hazard with a low risk level which, if not avoided, can result in minor or moderate injury.

Note

This signal word indicates important information (e.g. material damage), but does not indicate hazards.



Info

Information marked with this symbol helps you to carry out your tasks quickly and safely.



Follow the manual

Information marked with this symbol indicates that the operating manual must be observed.

You can download the current version of the operating manual and the EU declaration of conformity via the following link:



BA06



<https://hub.trotec.com/?id=43621>

Safety

Read this manual carefully before starting or using the device. Always store the manual in the immediate vicinity of the device or its site of use!



Warning

Read all safety warnings and all instructions.

Failure to follow the warnings and instructions may result in electric shock, fire and / or serious injury.

Save all warnings and instructions for future reference.

This appliance can be used by children aged from 8 years and above and persons with reduced physical, sensory or mental capabilities or lack of experience and knowledge if they have been given supervision or instruction concerning use of the appliance in a safe way and understand the hazards involved.

Children shall not play with the appliance. Cleaning and user maintenance shall not be made by children without supervision.

- Do not use the device in potentially explosive rooms.
- Do not use the device in aggressive atmosphere.
- Do not immerse the device in water. Do not allow liquids to penetrate into the device.
- The device may only be used in dry surroundings and must not be used in the rain or at a relative humidity exceeding the operating conditions.
- Protect the device from permanent direct sunlight.
- Do not expose the device to strong vibrations.
- Do not remove any safety signs, stickers or labels from the device. Keep all safety signs, stickers and labels in legible condition.
- Do not open the device.
- Observe the storage and operating conditions as given in the Technical data chapter.

Intended use

Only use the device for measurements of the air velocity within the measuring range specified in the technical data. Observe and comply with the technical data.

To use the device for its intended use, only use accessories and spare parts which have been approved by Trotec.

Improper use

Do not use the device in potentially explosive atmospheres, for measurements in liquids or at live parts.

Any unauthorised changes, modifications or alterations to the device are forbidden.

Personnel qualifications

People who use this device must:

- have read and understood the operating manual, especially the Safety chapter.

Residual risks



Warning of electrical voltage

Work on the electrical components must only be carried out by an authorised specialist company!



Warning

Risk of suffocation!

Do not leave the packaging lying around. Children may use it as a dangerous toy.



Warning

The device is not a toy and does not belong in the hands of children.



Warning

Dangers can occur at the device when it is used by untrained people in an unprofessional or improper way! Observe the personnel qualifications!



Caution

Keep a sufficient distance from heat sources.

Note

To prevent damages to the device, do not expose it to extreme temperatures, extreme humidity or moisture.

Note

Do not use abrasive cleaners or solvents to clean the device.

Information about the device

Device description

By making use of the anemometer air velocities can be determined in various units:

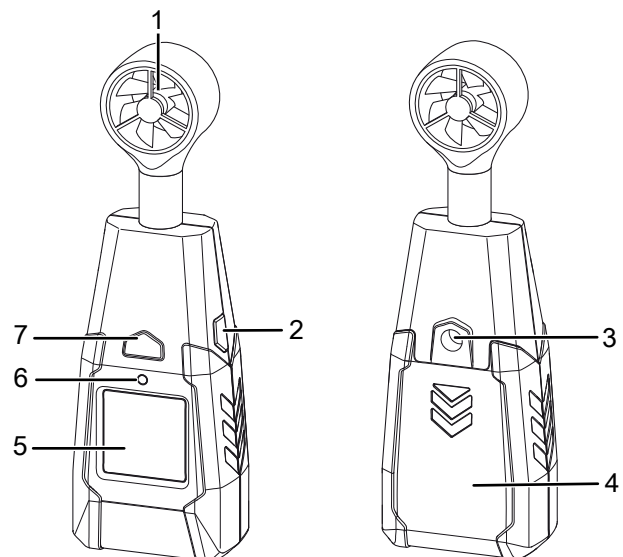
- metres per second (m/s)
- kilometres per hour (KPH)
- feet per minute (FPM)
- miles per hour (MPH)
- nautical miles per hour in knots (KNT)

Further available for the assessment of the measurements is a MAX/AVG function (maximum and average value).

The display illumination is automatically activated in poor lighting conditions.

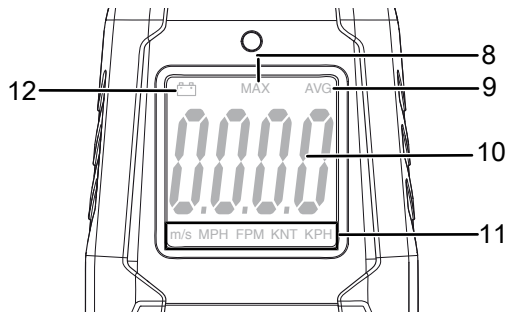
When not in use, an automatic switch-off saves the battery.

Device depiction



No.	Designation
1	Vane with sensor
2	MAX/AVG button
3	Tripod thread
4	Battery compartment cover
5	Display
6	Light sensor
7	Power button

Display



No.	Designation
8	MAX indication
9	AVG indication (average value)
10	Measurement value indication
11	Indication of the velocity unit
12	Battery status indication

Technical data

Parameter	Value
Model	BA06
Air velocity	
Measuring range	1.10 m/s to 30.00 m/s 216 ft/min to 5900 ft/min 3.96 km/h to 108.0 km/h 2.46 mph to 67.0 mph 2.13 kn to 58.0 kn
Accuracy	± 3 % ± 0.30 m/s ± 3 % ± 40 ft/min ± 3 % ± 1.0 km/h ± 3 % ± 0.4 mph ± 3 % ± 0.4 kn
Measuring range resolution	0.01 m/s 1 ft/min 0.1 km/h 0.1 mph 0.1 kn
General technical data	
Measuring rate	approx. 1 measurement per second
Display	LCD (monochrome)
Maximum operating altitude	2000 m
Storage temperature	-10 °C to 60 °C (14 °F to 140 °F) with < 80 % RH (non-condensing)
Operating temperature	0 °C to 50 °C (32 °F to 122 °F) with < 80 % RH (non-condensing)
Power supply	1 x 9 V battery
Device switch-off	after approx. 15 minutes of non-use
Weight	approx. 158 g (incl. battery)
Dimensions (L x W x H)	167 mm x 56 mm x 34 mm

Scope of delivery

- 1 x Device BA06
- 1 x 9 V battery
- 1 x Bag / holster
- 1 x Quick guide

Transport and storage

Note

If you store or transport the device improperly, the device may be damaged.

Note the information regarding transport and storage of the device.

Transport

For transporting the device, use the bag included in the scope of delivery in order to protect the device from external influences.

Storage

When the device is not being used, observe the following storage conditions:

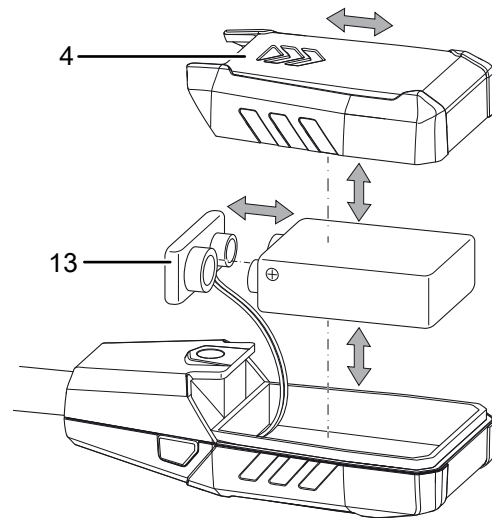
- dry and protected from frost and heat
- protected from dust and direct sunlight
- with a cover to protect it from invasive dust if necessary
- The storage temperature is the same as the range given in the Technical data chapter.
- Remove the battery from the device.

Operation

Inserting the battery

Note

Make sure that the surface of the device is dry and the device is switched off.



1. Remove the battery compartment cover (4) from the device.
2. Use the battery clip (13) to connect the new battery with correct polarity.
3. Slide the battery compartment cover (4) back on the device.

Switch-on and measurements

1. Press the power button (7).
⇒ The display will be switched on and the device ready for operation.
2. Hold the sensor (1) into the area where the measurement is to be performed. Ideally, the vane is aligned precisely to the flow direction.
⇒ The measured value for air velocity will be displayed in real time.

Note:

Note that moving from a cold area to a warm area can lead to condensation forming on the device's circuit board. This physical and unavoidable effect can falsify the measurement. In this case, the display shows either no measured values or they are incorrect. Wait a few minutes until the device has become adjusted to the changed conditions before carrying out a measurement.

Setting the air velocity unit

1. Press the *MAX/AVG* button (2) for approx. 2 seconds.
⇒ The indication of the velocity unit (11) switches to the next unit.
2. Repeat this step until the desired unit is indicated on the display.

Indication of maximum and average values

1. Briefly press the *MAX/AVG* button (2).
⇒ The *MAX* indication (8) and the measurement's maximum value will be displayed.
2. Press the *MAX/AVG* button (2) again to display the average value.
⇒ The *AVG* indication (9) and the measurement's average value will be displayed.
3. Press the *MAX/AVG* button (2) again to quit using the function.

Switching the device off

1. Briefly press the power button (7).
⇒ The device will be switched off.
⇒ The maximum and average values will be deleted.

Maintenance and repair

Battery change

A battery change is required when the battery status indication (12) lights up or the device can no longer be switched on (see chapter Inserting the battery).

Cleaning

Clean the device with a soft, damp and lint-free cloth. Make sure that no moisture enters the housing. Do not use any sprays, solvents, alcohol-based cleaning agents or abrasive cleaners, but only clean water to moisten the cloth.

Repair

Do not modify the device or install any spare parts. For repairs or device testing, contact the manufacturer.

Errors and faults

The device has been checked for proper functioning several times during production. If malfunctions occur nonetheless, check the device according to the following list.

Fault	Cause	Remedy
The device can no longer be switched on.	The battery is dead.	Insert a new battery (see chapter Operation).

Disposal



The icon with the crossed-out waste bin on waste electrical or electronic equipment stipulates that this equipment must not be disposed of with the household waste at the end of its life. You will find collection points for free return of waste electrical and electronic equipment in your vicinity. The addresses can be obtained from your municipality or local administration. For further return options provided by us please refer to our website www.trotec24.com.

The separate collection of waste electrical and electronic equipment aims to enable the re-use, recycling and other forms of recovery of waste equipment as well as to prevent negative effects for the environment and human health caused by the disposal of hazardous substances potentially contained in the equipment.



In the European Union, batteries and accumulators must not be treated as domestic waste, but must be disposed of professionally in accordance with Directive 2006/66/EC of the European Parliament and of the Council of 6 September 2006 on batteries and accumulators. Please dispose of batteries and accumulators according to the relevant legal requirements.

Trotec GmbH

Grebener Str. 7
D-52525 Heinsberg

☎ +49 2452 962-400

☎ +49 2452 962-200

✉ info@trotec.com

www.trotec.com