

B7E

EN

OPERATING MANUAL
HUMIDIFIER



 **TROTEC**

Table of contents

Notes regarding the operating manual..... 2

Safety 2

Information about the device..... 4

Transport and storage..... 5

Assembly and installation..... 6

Operation 8

Available accessories..... 9

Errors and faults..... 10


Maintenance 11


Technical annex..... 15


Disposal 15

Notes regarding the operating manual


Symbols


 **Warning of electrical voltage**
 This symbol indicates dangers to the life and health of persons due to electrical voltage.

 **Warning**
 This signal word indicates a hazard with an average risk level which, if not avoided, can result in serious injury or death.

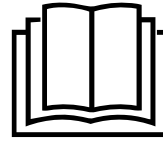
 **Caution**
 This signal word indicates a hazard with a low risk level which, if not avoided, can result in minor or moderate injury.

Note
 This signal word indicates important information (e.g. material damage), but does not indicate hazards.

 **Info**
 Information marked with this symbol helps you to carry out your tasks quickly and safely.

 **Follow the manual**
 Information marked with this symbol indicates that the operating manual must be observed.

You can download the current version of the operating manual and the EU declaration of conformity via the following link:




B 7 E



<https://hub.trotec.com/?id=45089>

Safety

Read this manual carefully before starting or using the device. Always store the manual in the immediate vicinity of the device or its site of use.

-  **Warning**
Read all safety warnings and all instructions. Failure to follow the warnings and instructions may result in electric shock, fire and/or serious injury. **Save all warnings and instructions for future reference.**
- This appliance can be used by children aged from 8 years and above and persons with reduced physical, sensory or mental capabilities or lack of experience and knowledge if they have been given supervision or instruction concerning use of the appliance in a safe way and understand the hazards involved. Children shall not play with the appliance. Cleaning and user maintenance shall not be made by children without supervision.
- Do not use the device in potentially explosive rooms or areas and do not install it there.
 - Do not use the device in aggressive atmosphere.
 - Only put up the device in an upright, stable position on firm ground.
 - Do not expose the device to directly squirting water.
 - Fill the device with clear drinking water only.
 - Never insert any objects or limbs into the device.
 - Do not cover or transport the device during operation.
 - Do not sit on the device.
 - This appliance is not a toy. Keep away from children and animals. Do not leave the device unattended during operation.
 - Ensure that all electric cables outside of the device are protected from damage (e.g. caused by animals). Never use the device if electric cables or the power connection are damaged!
 - The mains connection must correspond to the specifications in the Technical annex.

- Insert the mains plug into a properly fused mains socket.
- Observe the device's power input, cable length and intended use when selecting extensions to the power cable. Completely unroll extension cables. Avoid electrical overload.
- Before carrying out maintenance, care or repair work on the device, remove the mains plug from the mains socket. Hold onto the mains plug while doing so.
- Switch the device off and disconnect the power cable from the mains socket when the device is not in use.
- Do not under any circumstances use the device if you detect damages on the mains plug or power cable. If the power cable is damaged, it must be replaced by the manufacturer, its service agent or similarly qualified persons in order to avoid a hazard.
Defective power cables pose a serious health risk!
- Make sure that the air inlet and outlet are not obstructed.
- Make sure that the suction side is kept free of dirt and loose objects.
- Do not remove any safety signs, stickers or labels from the device. Keep all safety signs, stickers and labels in legible condition.
- Do not use the device when the water tank is empty.
- Before filling the water tank, switch the device off and disconnect the power cable from the mains socket. Hold onto the mains plug while doing so.
- Only transport the device in an upright position with an emptied water tank.
- Empty and clean the water tank prior to storage or transport. Do not drink the water. Health hazard!
- Note that high humidity levels may enhance the growth of biological organisms in the environment.
- Make sure that objects in the surroundings of the device do not become wet or damp. If moisture is present, the output must be reduced. Set the device to a lower level. If the output cannot be reduced, the device must only be operated in intervals. If necessary, switch the device off completely for a short time. Absorbent materials such as carpeting, curtains, sheers or tablecloths must not become damp.
- Make sure that the water in the water tank is replaced every 3 days. Otherwise there is a risk of microorganisms growing in the water tank which presents a health hazard if they get into the air or water.
- This device contains a UV lamp. Do not look into the light source for too long.

Intended use

Only use the device as a mobile humidifier for the humidification and filtration of room air, while adhering to and following the technical data.

Intended use comprises humidifying the room air in:

- living spaces
- warehouses and archives
- libraries
- call centres and computer rooms

Foreseeable misuse

The device is not intended for industrial use.

- Do not place the device on wet or flooded ground.
- Do not place any objects, e.g. clothing, on the device.
- Do not use the device out of doors.
- Do not make any unauthorised modifications, alterations or structural changes to the device.
- Any use other than the intended use is regarded as a reasonably foreseeable misuse.

Personnel qualifications

People who use this device must:


- be aware of the dangers that occur when working with electric devices in damp areas.
- have read and understood the operating manual, especially the Safety chapter.

Safety signs and labels on the device

Note

Do not remove any safety signs, stickers or labels from the device. Keep all safety signs, stickers and labels in legible condition.

The following safety signs and labels are attached to the device:

Symbols	Meaning
	This symbol located on the device indicates that the water tank should be cleaned every 3 days. Change the water in the water tank every 3 days. Disconnect the device from the mains before cleaning the water tank.

Operate the device with the adapter supplied by the manufacturer.

Residual risks



Warning of electrical voltage

Work on the electrical components must only be carried out by an authorised specialist company!



Warning of electrical voltage

Before any work on the device, remove the mains plug from the mains socket!
Do not touch the mains plug with wet or damp hands. Hold onto the mains plug while pulling the power cable out of the mains socket.



Warning

Dangers can occur at the device when it is used by untrained people in an unprofessional or improper way! Observe the personnel qualifications!



Warning

The device is not a toy and does not belong in the hands of children.



Warning

Risk of suffocation!
Do not leave the packaging lying around. Children may use it as a dangerous toy.



Caution

If the device is knocked over, water will leak from the lower part.
Disconnect the device from the mains to prevent damage to the device caused by dry running.

Note

Do not operate the device without an air filter inserted into the air inlet!
Without the air filter, the inside of the device will be heavily contaminated. This could reduce the performance and result in damage to the device.

Behaviour in the event of an emergency

1. Switch the device off.
2. In an emergency, disconnect the device from the mains feed-in: Hold onto the mains plug while pulling the power cable out of the mains socket.
3. Do not reconnect a defective device to the mains.

Information about the device

Device description

The device B 7 E functions as a humidifier, aroma diffuser and air cleaner.

The ultrasound technology ensures a pleasant room climate and air quality improvement.

The capacity of the water tank of 5 l allows for a running time of approx. 16 hours.

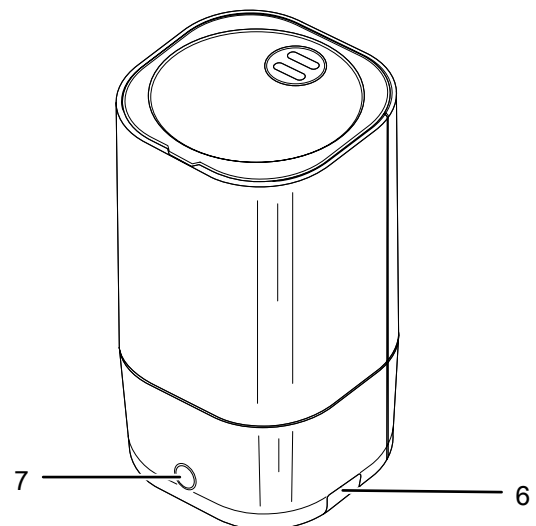
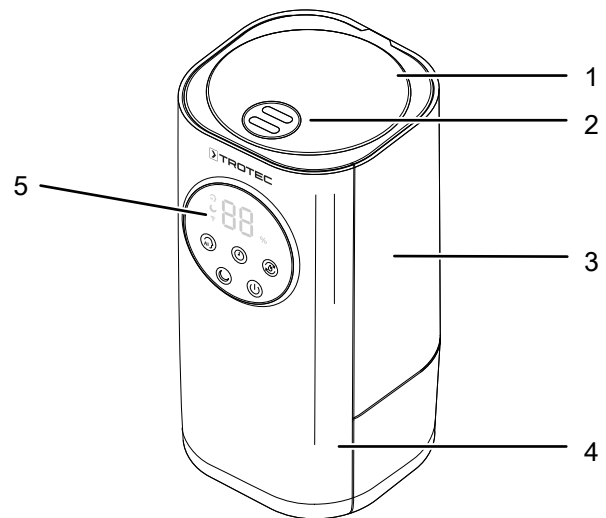
The device switches off automatically when the water tank is empty.

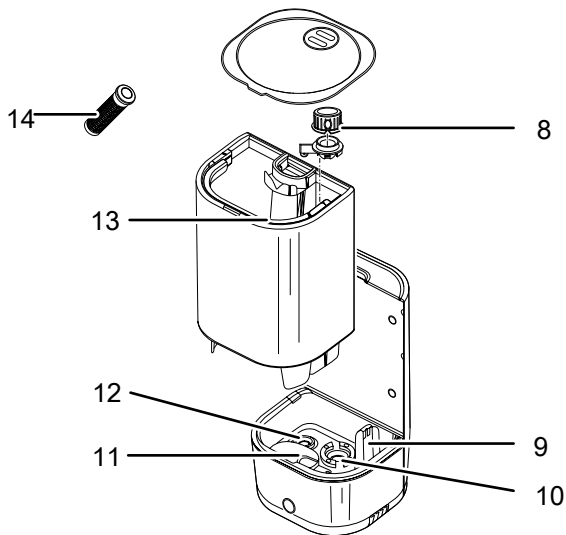
Scented oil can be added to the scented oil tank for optional room air aromatization.

The device comes with an automatic mode, a night mode and a timer function. The timer function can be programmed for automatic switch-on and switch-off after 1 to 12 hours.

An integrated antibacterial UV lamp works automatically and reduces bacteria inside the water tank.

Device depiction





No.	Designation
1	Lid with air outlet
2	Air outlet
3	Water tank
4	Bottom section
5	Control panel
6	Cover with carbon filter (air filter)
7	Mains connection (adapter)
8	Cover for water filter
9	Air nozzle
10	Nebulizer membrane
11	Float
12	UV lamp
13	Handle for removing the water tank
14	SecoSan® Stick 10 (optional accessory)

Transport and storage

Note

If you store or transport the device improperly, the device may be damaged.

Note the information regarding transport and storage of the device.

Transport

Before transporting the device, observe the following:

- Switch the device off.
- Hold onto the mains plug while pulling the power cable out of the mains socket.
- Lift the device at the lower part.
- Empty the water tank.
- Empty the lower part.
- Do not use the power cable to drag the device.
- Check whether the upper part is correctly positioned on the lower part.

After transporting the device, proceed as follows:

- Set up the device in an upright position after transport.

Storage

Before storing the device, observe the following:

- Hold onto the mains plug while pulling the power cable out of the mains socket.
- Empty the water tank.
- Empty the lower part.
- Use a cloth to wipe all parts of the device dry.
- Clean the device according to the Maintenance chapter.

When the device is not being used, observe the following storage conditions:

- dry and protected from frost and heat
- in an upright position where it is protected from dust and direct sunlight
- with a cover to protect it from invasive dust, if necessary
- Place no further devices or objects on top of the device to prevent it from being damaged.

Assembly and installation

Scope of delivery

- 1 x Device
- 1 x Adapter
- 1 x Manual

Unpacking the device

1. Open the cardboard box and take the device out.
2. Completely remove the packaging.
3. Fully unwind the power cable. Make sure that the power cable is not damaged and that you do not damage it during unwinding.

Start-up

- Before restarting the device, check the condition of the power cable. If there are doubts as to the sound condition, contact the customer service.
- Only put up the device in an upright, stable position on firm ground.
- Do not create tripping hazards when laying the power cable or other electric cables, especially when positioning the device in the middle of the room. Use cable bridges.
- Make sure that extension cables are completely unrolled.
- Make sure that there are no moisture-sensitive objects in the immediate vicinity of the mist nozzle, since water may condense near the mist nozzle.

Filling the water tank

The water tank (3) should be filled with clear drinking water before first use.

Note

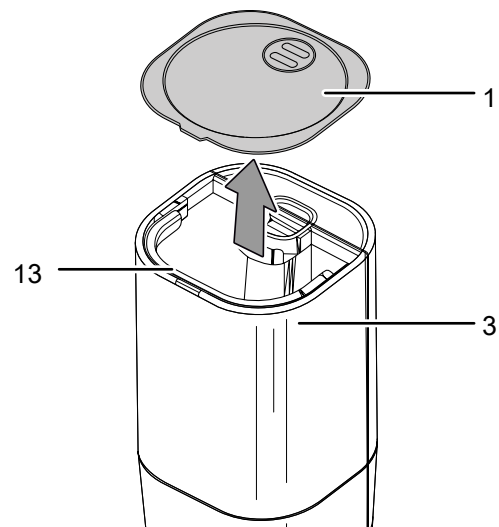
Fill the device with clear drinking water only. The water temperature must not exceed 40 °C. Scented oil or other additives can damage the plastics and the nebulizer membrane.



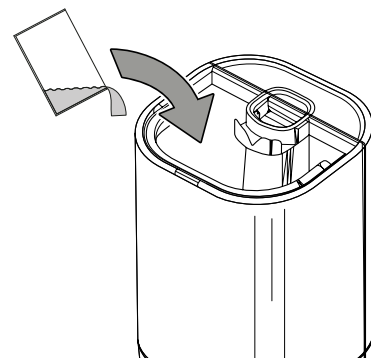
Info

If possible, change the water every 3 days to prevent bacterial growth.

1. Open the lid with air outlet (1).

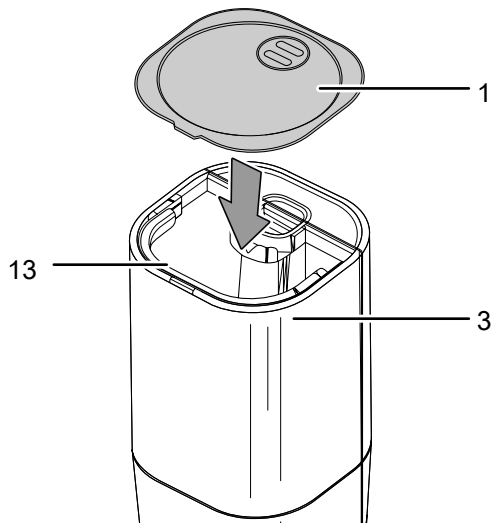


2. Fill clear drinking water (maximally 40 °C) up to the **MAX** indication inside the water tank (3).



3. Insert the SecoSan® Stick (optional accessory) (14) into the water tank (3).

4. Now close the lid with air outlet (1).



Scent option

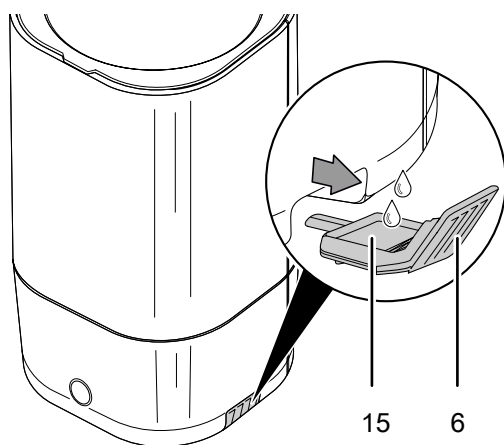
Additionally, the device offers the possibility to distribute a scent during operation.

Note

Never put scented oil directly into the scented oil tank, the water tank or on the membrane. Direct contact with scented oil might cause damage to plastic components or other device parts.

Use standard scented oil. Proceed as follows to use the scent option:

- ✓ The device is switched off and the power cable is disconnected from the mains.
- 1. Remove the cover of the carbon filter (6) with the integrated scented oil tank (15) from the device.
- 2. Put 2 to 3 drops of scented oil onto the sponge in the scented oil tank (15).



Inserting the air filter

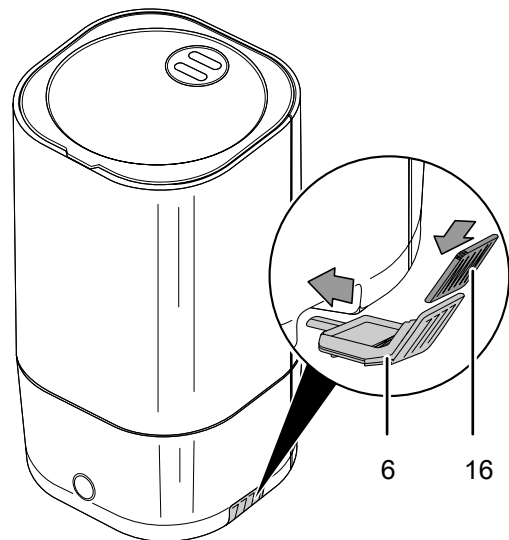
Note

Do not operate the device without an air filter inserted into the air inlet!

Without the air filter, the inside of the device will be heavily contaminated. This could reduce the performance and result in damage to the device.

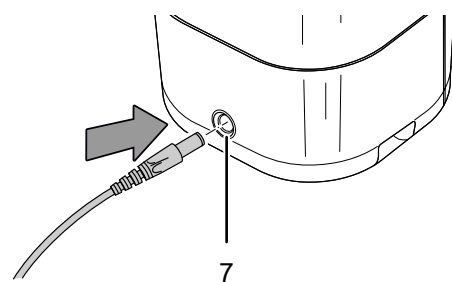
- Make sure that the air filter is installed before switching the device on.

1. Insert the carbon filter (16) into the cover (6).



Connecting the power adapter

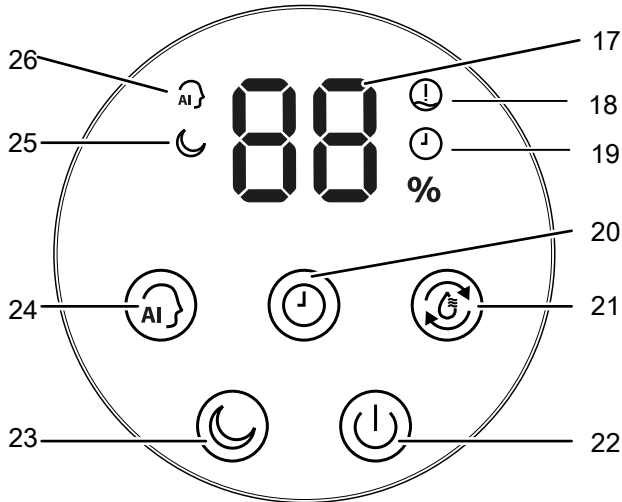
- Plug the power adapter cable into the device's mains connection.
- Plug the power adapter into a properly fused mains socket.



Operation

- Avoid open doors and windows.
- Make sure that there are no moisture-sensitive objects located in the immediate vicinity of the mist nozzle, since water may condense near the mist nozzle.

Operating elements



No.	Designation	Meaning
17	Segment display	Indicates the current relative room humidity. Indicates the number of hours during <i>timer</i> programming Indicates error codes, see chapter Errors and faults
18	Low water level LED	Illuminated if the water level is low
19	Timer LED	Illuminated when the timer function is activated
20	Timer button	Switching the timer function on or off
21	Nebulizer intensity button	Select nebulizer intensity
22	On/off button	For switching the device on and off
23	Night mode button	Switching night mode on or off
24	Automatic operation button	Switching the automatic mode on or off
25	Night mode LED	Illuminated when night mode is activated.
26	Automatic operation LED	Illuminated when automatic mode is activated

Switching the device on

1. Make sure that the water tank (3) has been filled with drinking water.
2. Make sure that the device is neither damp nor wet on the outside. Otherwise wipe it dry.
3. Press the On/off switch (22).
 - ⇒ The segment display (17) indicates the last selected nebulizer intensity.
 - ⇒ The device starts to humidify. Fine water mist leaves the mist nozzle (2).
 - ⇒ During manual humidification, the device indicates the current relative humidity on the segment display in percent.

Setting the nebulizer intensity

Info

If no operational input is made for 40 s, the segment display (17) switches off.

The nebulizer intensity can be set to 3 levels:

- Stage 1: Low nebulizer intensity
 - Stage 2: Medium nebulizer intensity
 - Stage 3: High nebulizer intensity
- ✓ The device is switched on.
1. Press the *Nebulizer intensity* button (21).
 - ⇒ "01" appears on the segment display (17) to indicate the first stage.
 2. Repeat the process for stage 2 or 3.
 - ⇒ The device now operates with the desired nebulizer intensity.

Setting the operating mode

You can switch between the following operating modes:

- Automatic operation
- Night mode
- Manual humidification

Manual humidification

The nebulizer intensity can be set to stage 1–3 in this operating mode at any time (continuous humidification regardless of the humidity level in the room).

Automatic operation

During automatic operation the device automatically regulates the nebulizer intensity.

- ✓ The device is switched on.
1. Press the *automatic operation* button (24) to activate automatic operation.
 - ⇒ The *automatic operation* LED (26) appears on the display.
 - ⇒ Automatic operation is now set.

Night mode

The control element's sound output is deactivated during night mode. The display switches off after approx. 40 s and only switches back on when a button is pressed.

- ✓ The device is switched on.
- 1. Press the *night mode* button (23) to activate the night mode.
 - ⇒ The *night mode* indication (25) appears on the display.
 - ⇒ Night mode is now activated.
- 2. Press the *night mode* button (23) again to activate the night mode.

Timer function

The *timer* can be programmed in order to switch the device on or off after a preset number of hours (1 to max. 12). The *timer* can be programmed in increments of 1 hour.

Automatic switch-off

Please proceed as follows to programme automatic switch-off:

- ✓ The device is switched on.
- 1. Press the *timer* button (20) until the desired number of hours is displayed.
- 2. Wait a moment until the number of hours stops flashing.
 - ⇒ The *timer* setting equals the desired number of hours.
 - ⇒ The current room humidity is displayed again.
 - ⇒ The device switches off after the set period of time.

Notes regarding automatic switch-off:

- Pressing the On/off button (22) deactivates the automatic switch-off function.

Automatic switch-on

Please proceed as follows to programme automatic switch-on:

- ✓ The device is now in standby mode.
- 1. Press the *timer* button (20) until the desired number of hours is displayed.
- 2. Wait a moment until the number of hours stops flashing.
 - ⇒ The *timer* setting equals the desired number of hours.
 - ⇒ The display switches off after a few seconds.
 - ⇒ The device switches on after the selected time has elapsed.

Notes regarding automatic switch-on:

- Pressing the On/off button (22) deactivates the automatic switch-on function.

Shutdown



Warning of electrical voltage

Do not touch the mains plug with wet or damp hands.

- Switch the device off.
- Hold onto the mains plug while pulling the power cable out of the mains socket.
- Empty the water tank.
- Empty the lower part.
- Use a cloth to wipe all parts of the device dry.
- Clean the device according to the Maintenance chapter.
- Store the device according to the Transport and storage chapter.

Available accessories



Warning

Only use accessories and additional equipment specified in the operating manual. Using insertion tools or accessories other than those specified in the operating manual may cause a risk of injury.

Designation	Article number
SecoSan® Stick 10	6.100.004.110

Errors and faults

The device has been checked for proper functioning several times during production. If malfunctions occur nonetheless, check the device according to the following list.

The device does not start:

- Check the power connection.
- Check the power cable and mains plug for damage.
- Check the on-site fusing.
- Check whether the water tank indicator light is illuminated. The water tank might be empty and need refilling.
- Wait for 10 minutes before restarting the device. If the device is not starting, have the electricians checked by a specialist company or by Trotec.

The device is running, but there is no formation of mist:

- Check whether the water tank indicator light is illuminated. The water tank might be empty and need refilling.
- Check the valve in the water tank lid. The valve must be able to move freely. Clean the water tank if required.
- Check the float in the lower part of the device. The float should be able to move freely.
- Check the air filter for dirt. Clean the air filter if required.
- Check the nebulizer intensity setting and increase it if required.
- Check the nebulizer membrane in the lower part of the device for dirt and clean it if required.

The water tank is full, but the device indicates an empty water tank:

- Heavy deposits on the filter cartridge may prevent the water from flowing from the water tank into the device. This can occur if the device has been out of use for a long time. Rinse the filter cartridge with clear water and, if required, carefully clean the filter at the filter cartridge.
- Check the valve in the water tank lid. The valve must be able to move freely. Clean the water tank if required.

Water is leaking:

- Check whether the device is set up in a stable and upright position.
- Check the water level in the lower part of the device. The water level might be too high and water is discharged via the overflow.
- Check the valve in the water tank lid. The valve must be able to move freely. Clean the water tank if required.
- Check the float in the lower part of the device. The float should be able to move freely. It may block and cause water to be discharged via the overflow.
- Check the device for leaks.

The water mist has a peculiar smell:

- The device is new. Remove and rinse the water tank. Let the open water tank air for some hours.
- Check the water tank. There may be stale or dirty water in the water tank. Rinse the water tank and fill it with clear drinking water.

Condensate forms on the device:

- The air circulation in the room is insufficient. If necessary, reduce the nebulizer intensity and provide better air circulation (e.g. using a fan).
- The room's humidity level is quite high. This makes it difficult for the mist to distribute and leads to water condensing on the device. If necessary, reduce the nebulizer intensity or switch off the device.

The device is loud or vibrates heavily:

- Check whether the device is set up in a stable and upright position.

The device still does not operate correctly after these checks:

Please contact the customer service. If necessary, bring the device to an authorised specialist electrical company or to Trotec for repair.

Table of faults

The following faults can be displayed on the control panel (5):

Error	Meaning
The <i>automatic operation</i> LED (26) flashes and the segment display (17) indicates "- -".	There is a fault at the temperature or humidity sensor.
The <i>low water level</i> LED (18) flashes.	The water tank is empty or not installed correctly.

Maintenance

Maintenance intervals

Maintenance and care interval	before every start-up	as needed	every 3 days	at least every 2 weeks	at least every 4 weeks	at least every 6 months	at least annually
Cleaning the water tank			X				
Check air inlets and outlets for dirt and foreign objects and clean if necessary	X				X		
Clean the exterior		X					X
Visually check the inside of the device for dirt		X					X
Check the air filter for dirt and foreign objects and clean or replace if necessary	X			X			
Replace the air filter						X	
Check for damage	X						
Check the attachment screws		X					X
Test run							X

Maintenance and care log

Device type:

Device number:

Maintenance and care interval	1	2	3	4	5	6	7	8	9	10	11	12	13	14	15	16
Cleaning the water tank																
Check air inlets and outlets for dirt and foreign objects and clean if necessary																
Clean the exterior																
Visually check the inside of the device for dirt																
Check the air filter for dirt and foreign objects and clean or replace if necessary																
Replace the air filter																
Check for damage																
Check the attachment screws																
Test run																

1. Date: Signature:	2. Date: Signature:	3. Date: Signature:	4. Date: Signature:
5. Date: Signature:	6. Date: Signature:	7. Date: Signature:	8. Date: Signature:
9. Date: Signature:	10. Date: Signature:	11. Date: Signature:	12. Date: Signature:
13. Date: Signature:	14. Date: Signature:	15. Date: Signature:	16. Date: Signature:

Activities required before starting maintenance



Warning of electrical voltage

Do not touch the mains plug with wet or damp hands.

- Switch the device off.
- Hold onto the mains plug while pulling the power cable out of the mains socket.



Warning of electrical voltage

Tasks which require the device to be opened must only be carried out by authorised specialist companies or by Trotec.

Safety signs and labels on the device

Check the safety signs and labels attached to the device at regular intervals. Replace illegible safety signs!

Cleaning the housing

Clean the housing with a soft, damp and lint-free cloth. Make sure that no moisture enters the housing. Protect electrical components from moisture. Do not use any aggressive cleaning agents such as cleaning sprays, solvents, alcohol-based or abrasive cleaners to dampen the cloth.

Cleaning the water tank



Info

Use the SecoSan® Stick by Trotec to provide protection from germs in the water. The SecoSan® Stick prevents the reproduction of germs by means of silver ions. Due to the special, antimicrobial surface, the silver ions are emitted to the immediate proximity of bacteria and germs. This way, microbial growth can be effectively prevented – at the same time, the water remains pure and uncontaminated. The dosage of the SecoSan® Stick is carried out automatically.



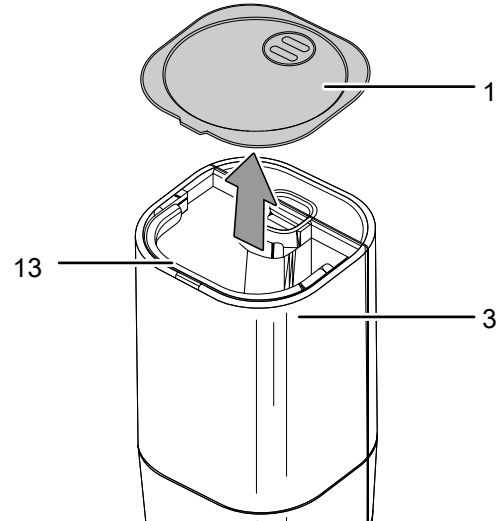
Info

Clean the nebulizer membrane, air outlet, water tank and the water lines as often as possible.

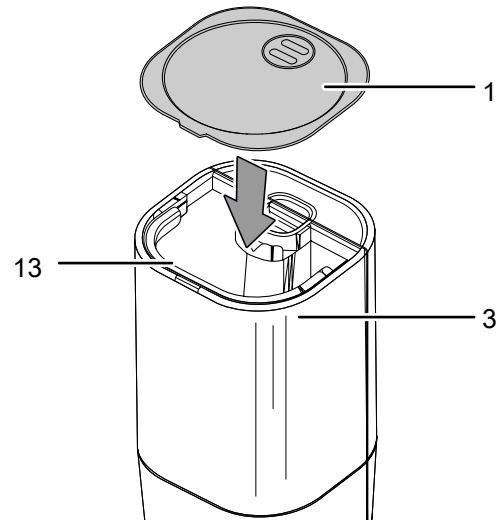
The water tank should be cleaned every 3 days if actively used. Use household vinegar as cleaning/descaling agent. Observe the manufacturer's specifications and hazard warnings of the descaling agent. Before a longer period of non-use or storage the water tank should be drained.

1. Remove the cover (1).

2. Remove the water tank (3) from the bottom section (4) holding it by the handle (13). Please note that there may still be residual water left in the bottom section if the device was used beforehand.



3. Clean the water tank with a standard cleaning agent to remove limescale deposits.
4. Allow the water tank (3) to dry.
5. Fill the water tank (3) with fresh drinking water.
6. Place the water tank (3) back on the bottom section (4) again and fold the handle (13) back to the side. Now close the lid with mist outlet (1).

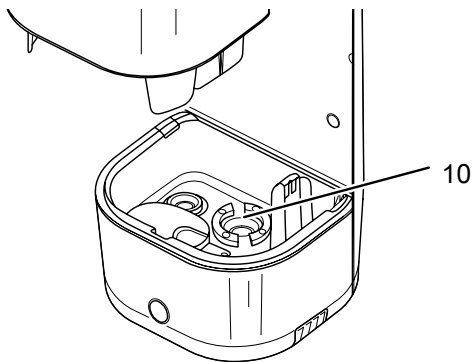


Cleaning the nebulizer membrane

Depending on the hardness of the drinking water used, deposits may form on the nebulizer membrane over time. These could affect the nebulizer performance. Therefore, the nebulizer membrane should be cleaned on a regular basis.

To do so, please proceed as follows:

1. Remove the top section with water tank (3) as described in Cleaning the water tank.
2. Remove any residual water from the inside of the device.
3. Wet the nebulizer membrane (10) with household vinegar (descaling agent).
4. Let the descaling agent act for approx. 2 to 5 min.
5. Remove the deposits from the nebulizer membrane (10) using the cotton bud.

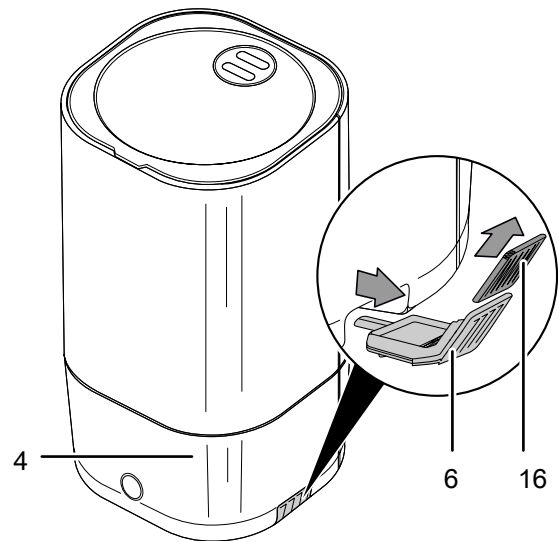


6. Rinse the inside of the device with clear water.
7. Refit the water tank (3) as described in Cleaning the water tank.

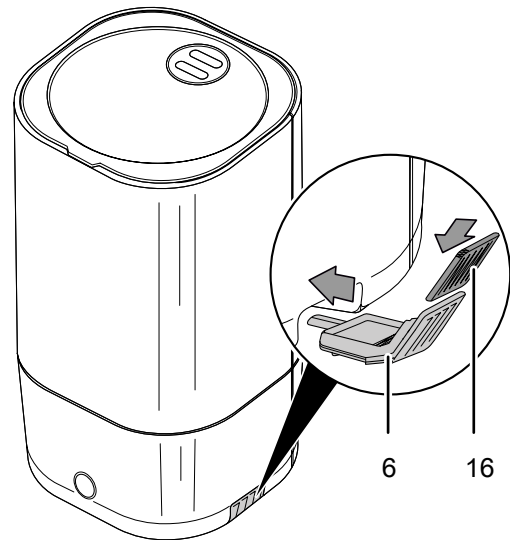
Cleaning the air filter

The air filter should be cleaned or replaced in case of heavy soiling.

1. Lightly push against the cover of the carbon filter (6).
⇒ The cover of the carbon filter (6) is unlocked from the bottom section (4).
2. Carefully remove the cover of the filter (6) from the bottom section (4).



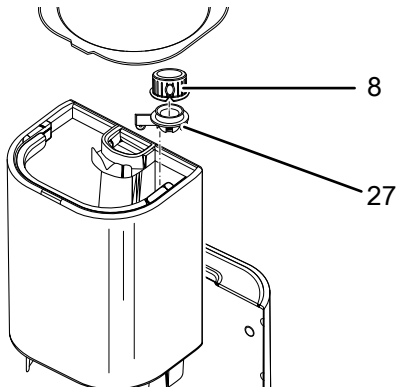
3. Clean or replace the carbon filter (air filter) (16).
4. Insert the carbon filter (air filter) (16) into the cover (6).
5. Slide the cover (6) into the bottom section (4).



Clean the water filter

The water filter should be cleaned in case of heavy soiling.

1. Carefully remove the cover of the water filter (8) from the water tank (3).

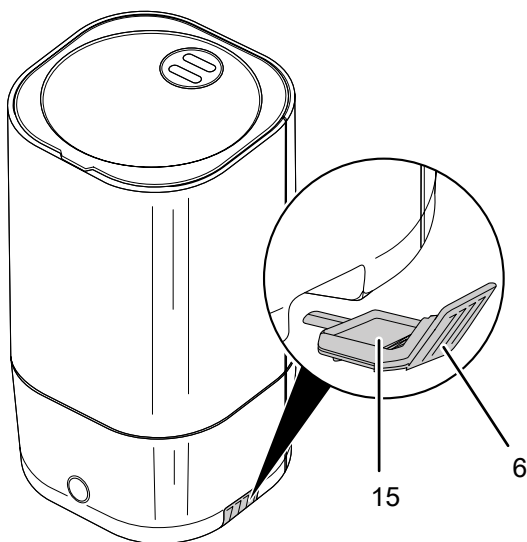


2. Clean or replace the water filter (27).
3. Position the water filter (27) inside the cover of the water filter (8).
4. Refasten the cover of the water filter in the water tank (3).

Cleaning the scented oil tank

The scented oil tank should be cleaned on a regular basis. This tank is integrated in the cover of the carbon filter.

1. Lightly push against the cover of the carbon filter (6) so that the cover is unlocked from the housing.
2. Carefully remove the cover of the carbon filter (6) from the device.
3. Now clean the area around the scented oil tank (15).



4. Use a cloth to wipe the scented oil tank (15) dry.
5. Slide the cover of the carbon filter (6) into the bottom section (4) again.

Activities required after maintenance

If you want to continue using the device:

- Reconnect the device to the mains.

If you do not intend to use the device for a considerable time:

- Store the device according to the Transport and storage chapter.

Technical annex

Technical data

Parameter	Value
Model	B 7 E
Nebulizer performance	300 ml/h
Runtime	16 h
Temperature of surrounding conditions	+5°C to +40°C
Power consumption	24 W
Mains connection adapter	100 V – 240 V / 50 Hz – 60 Hz
Output voltage of adapter	24 V
Output current of adapter	1 A
Nominal current consumption	0.6 A
Plug type	CEE 7/16
Cable length	1.45 m
Sound pressure level (1 m distance)	38 dB (A)
Water tank capacity	5 l
Dimensions (length x width x height)	195 x 195 x 385 mm
Weight	2 kg

Disposal



The icon with the crossed-out waste bin on waste electrical or electronic equipment stipulates that this equipment must not be disposed of with the household waste at the end of its life. You will find collection points for free return of waste electrical and electronic equipment in your vicinity. The addresses can be obtained from your municipality or local administration. You can also find out about other return options that apply for many EU countries on the website <https://hub.trotec.com/?id=45090>. Otherwise, please contact an official recycling centre for electronic and electrical equipment authorised for your country.

The separate collection of waste electrical and electronic equipment aims to enable the re-use, recycling and other forms of recovery of waste equipment as well as to prevent negative effects for the environment and human health caused by the disposal of hazardous substances potentially contained in the equipment.

Trotec GmbH

Grebener Str. 7
D-52525 Heinsberg

☎ +49 2452 962-400

☎ +49 2452 962-200

✉ info@trotec.com

www.trotec.com